

SOLUTIONS BY



MISSION CRITICAL FACILITIES
DESIGN AND CONSTRUCTION

Covis Sdn Bhd

E-03-01, 1st Floor East Wing
Subang Square Business Centre
Jalan SS15/4G, 47500,
Subang Jaya, Selangor

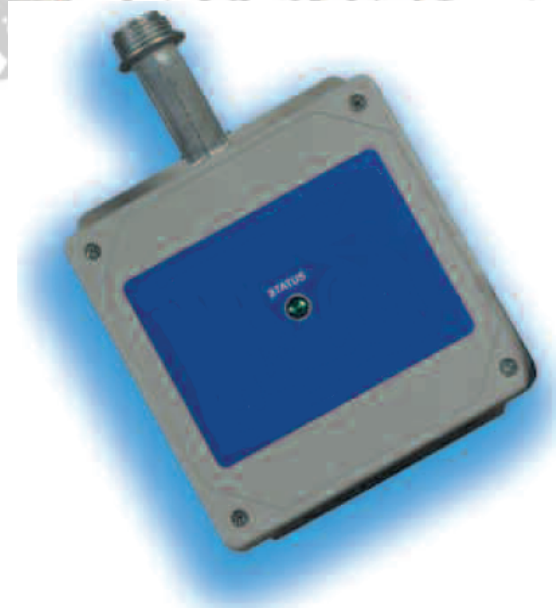
@ www.covis-group.com/
lawrence.lai@covis-group.com

+603 5621 7780

+603 5621 7790



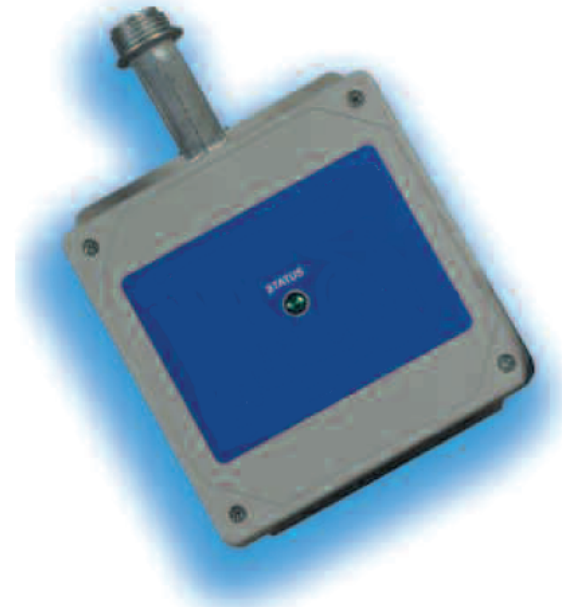
• 1 Year Warranty •



Transients Voltage Surge Suppression(TVSS) Standard Surge Suppressor Series (SSS Series)

Features

- Capable to protect electronic equipment and microprocessor-based system
- Surge Current Capacity: 25,000 to 100,000 Amps per phase
- All mode and 2 Mode Protection Option
- Status Indication: Form C Contact, LED Status Indication
- Small footprint, all voltage and phase configurations
- Sand Encapsulation, Silver Link Fusing, Thermal Protection & Electronic grade Surge Protective Device (SPD)
- Comes with one year warranty include labour and parts



General Technical Specification

| | |
|------------------------------|------------------|
| • Operating Voltage Range | +/-15% |
| • Fault Current Rating (AIC) | 22kAIC |
| • Operating Frequency Range | 47-63 Hz |
| • 50 Ω EMI/RFI Attenuation | 40dB |
| • Response Time | <0.5 ns |
| • Operating Temperature | -40°C to + 50°C |
| • Operating Humidity | 0% to 95% |
| • Certification | UL 1449, CUL, CE |

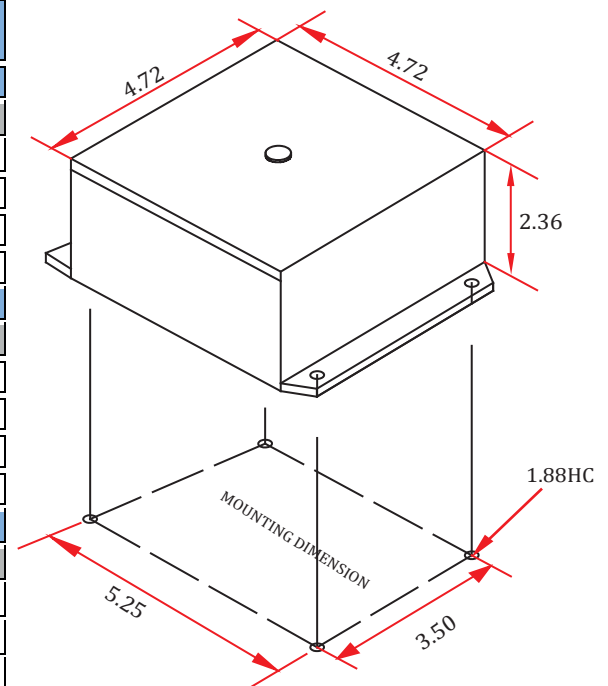
Performance Technical Specifications

| Clamping | |
|-------------------------------|------------|
| UL 1449 Classification | |
| 120/208 | |
| Line to Neutral | 400 Volts |
| Line to Line | 800 Volts |
| Line to Ground | 400 Volts |
| Neutral to Ground | 400 Volts |
| 120/140 | |
| Line to Neutral | 400 Volts |
| Line to Line | 800 Volts |
| Line to Ground | 400 Volts |
| Neutral to Ground | 400 Volts |
| 277/480 | |
| Line to Neutral | 800 Volts |
| Line to Line | 1500 Volts |
| Line to Ground | 800 Volts |
| Neutral to Line | 800 Volts |
| 480 | |
| Line to Line | 1500 Volts |
| Line to Ground | 1500 Volts |

| Peak Surge Current Capability (8 x 20 μS) | |
|---|-------------|
| Model: SSSxxxx100 | |
| Phase: | 100,000Amps |
| L-N | 50,000Amps |
| L-L | 50,000Amps |
| L-G | 50,000Amps |
| N-G | 50,000Amps |
| Model: SSSxxxx50 | |
| Phase: | 50,000Amps |
| L-N | 25,000Amps |
| L-L | 25,000Amps |
| L-^ | 25,000Amps |
| N-G | 25,000Amps |
| Model: SSSxxxx25-2 | |
| Phase: | 25,000Amps |
| L-N | 25,000Amps |
| L-L | 25,000Amps |
| N-G | 25,000Amps |

*UL Classification for other voltages
Available upon request

Dimensional Diagram



*Specification subjects to change without prior notice