

SOLUTIONS BY



MISSION CRITICAL FACILITIES
DESIGN AND CONSTRUCTION

Covis Sdn Bhd

E-03-01, 1st Floor East Wing
Subang Square Business Centre
Jalan SS15/4G, 47500,
Subang Jaya, Selangor

@ www.covis-group.com/
lawrence.lai@covis-group.com

+603 5621 7780

+603 5621 7790



• 1 Year Warranty •



Transients Voltage Surge Suppression(TVSS) Moderate Surge Suppressor Series (MSS Series)

Features

- Capable to handle the high impulse
- Capable to protect electronic equipment and microprocessor-based system Surge Current
- Capacity: 100,000 to 160,000 Amps per phase
- All mode and 2 Mode Protection Option
- Status Indication: Form C Contact, LED Status Indication
- Small footprint & NEMA 12 metal enclosure
- Sand Encapsulation, Silver Link Fusing, Thermal Protection & Compact Surge Protective Device (SPD)
- Comes with one year warranty include labour and parts



General Technical Specification

• Operating Voltage Range	+/-15%
• Fault Current Rating (AIC)	65kAIC
• Operating Frequency Range	47-63 Hz
• 50 Ω EMI/RFI Attenuation	40dB
• Response Time	<0.5 ns
• Operating Temperature	-45°C to + 50°C
• Operating Humidity	0% to 95%
• Certification	UL 1449, CUL, CE

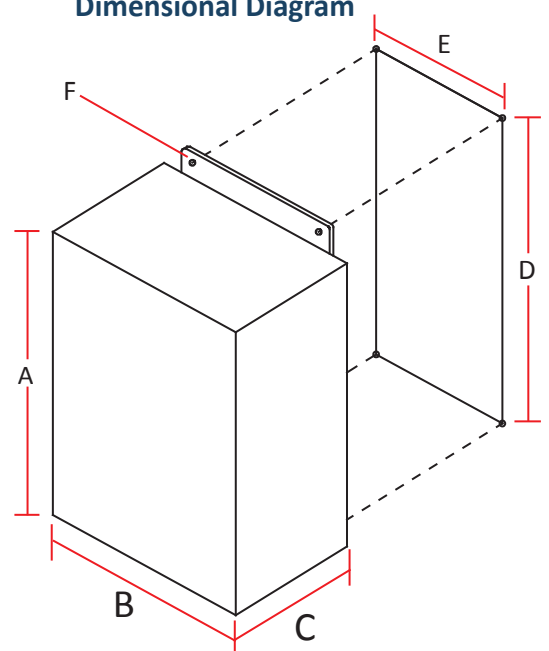
Performance Technical Specifications

Clamping	
UL 1449 Classification	
120/208	
Line to Neutral	400 Volts
Line to Line	800 Volts
Line to Ground	400 Volts
Neutral to Ground	400 Volts
277/480	
Line to Neutral	800 Volts
Line to Line	1500 Volts
Line to Ground	800 Volts
Neutral to Ground	800 Volts
480	
Line to Line	1500 Volts
Line to Ground	1500 Volts

*UL Classification for other voltages Available upon request

Peak Surge Current Capability (8 x 20 μS)	
Model: MSSxxxx160	
Phase:	160,000Amps
L-N	80,000Amps
L-L	80,000Amps
L-G	80,000Amps
N-G	80,000Amps
Model: MSSxxxx100-2	
Phase:	100,000Amps
L-N	100,000Amps
L-L	100,000Amps
N-G	100,000Amps

Dimensional Diagram



Model	A	B	C	D	E	F
MSSxxxxY160	8	6	4	8.75	4	0.31
MSSxxxxD160	8	6	4	8.75	4	0.31
MSSxxxxY100-2	6	4	4	8.75	2	0.31
MSSxxxxD100-2	6	4	3	8.75	2	0.31

*Specification subjects to change without prior notice