

SOLUTIONS BY



MISSION CRITICAL FACILITIES  
DESIGN AND CONSTRUCTION

Covis Sdn Bhd

E-03-01, 1st Floor East Wing  
Subang Square Business Centre  
Jalan SS15/4G, 47500,  
Subang Jaya, Selangor

@ [www.covis-group.com/](http://www.covis-group.com/)  
lawrence.lai@covis-group.com

+603 5621 7780

+603 5621 7790



• 1 Year Warranty •



## Data/ Signal Line Protection

CVS DRS (DC) Series

### Features

- Low-Voltage Data Surge Protection
- Three Stage Hybrid Technology
- Sneak/ Fault Current Protection with Resettable Fuses-PTCs
- Low Profile Packaging
- Fit standard 35mm DIN Rail
- Fast Response Time <1 Nanoseconds
- UL 497B Listed
- Easy Installation
- Comes with one year warranty include labour and parts

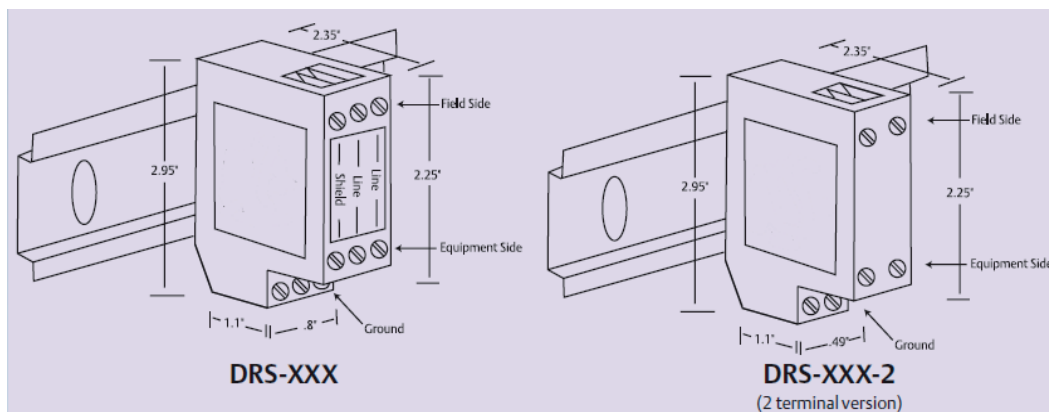


### General Technical Specifications

The CVS DRS (DC) Series is a DIN rail mountable, single-pair surge suppression module implementing three-stage hybrid technology. This module addresses over-voltage transients with gas tubes and silicon avalanche components. In addition, sneak currents are mitigated with resettable fuses (PTCs). The PTCs increase resistance several orders of magnitude when over-currents exceed safe levels. A normal state resumes when over-currents are removed. The ability to self-restore in this manner significantly increases suppressor performance and survivability.

Part Number	Maximum Peak Signal Voltage	Nominal Breakdown Voltage	Surge 1p10x1000µS Current	Peak Current 8x200µS Waveform	Typ Cap (pf)	Maximum Continuous Current (ma)	Nominal Series Resistance
DRS-008	6	8	>100	10kA	1500	150	5 Ohms
DRS-015	12	15	>100	10kA	1500	150	5 Ohms
DRS-232	15	22	>100	10kA	1500	150	5 Ohms
DRS-030	24	30	>100	10kA	1500	150	5 Ohms
DRS-036	30	36	>100	10kA	1500	150	5 Ohms
DRS-043	35	43	>100	10kA	1500	150	5 Ohms
DRS-050	43	50	>100	10kA	1500	150	5 Ohms
DRS-060	52	60	>100	10kA	1500	150	5 Ohms
DRS-175	200	250	>10	8kA	1500	150	5 Ohms
**DRS-130	170	200	>10	8kA	1500	5000	None

**\*\*Warning!!** DRS-130RMS is for Discrete Signal Use Only. Do not use DRS-130RMS on 120VAC Power Lines. This unit is a non-hybrid, MOV design, rated above 5A operational current and can withstand greater than eight occurrences of a 10kA 8x20µs waveform, and greater than 1000 occurrences of a 200A 10x1000µs waveform.



\*Specification subjects to change without prior notice